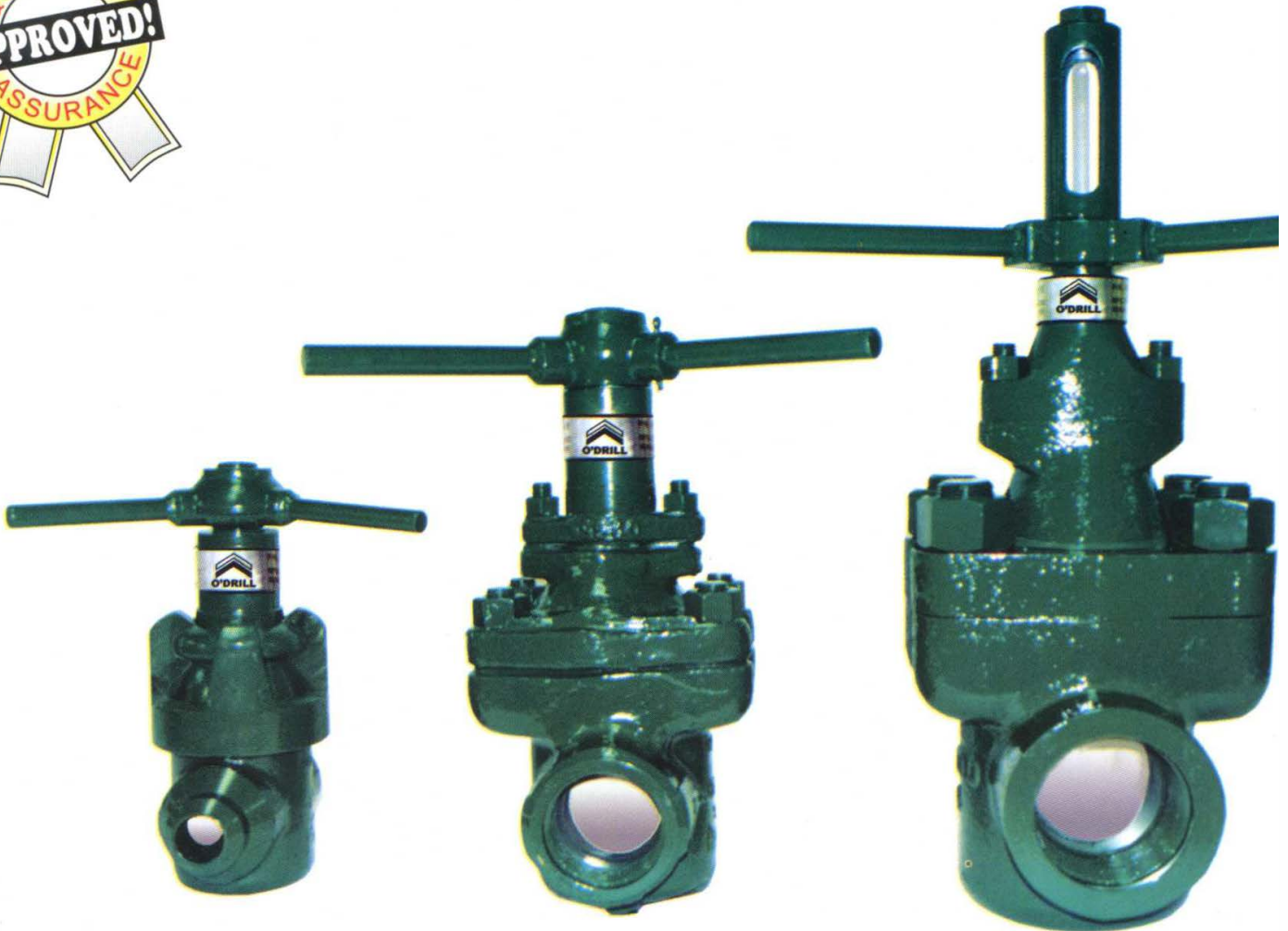


*Engineered for High Performance...*

DEMCO® DM  
TYPE



2"

3"

4"



**GATE VALVES**

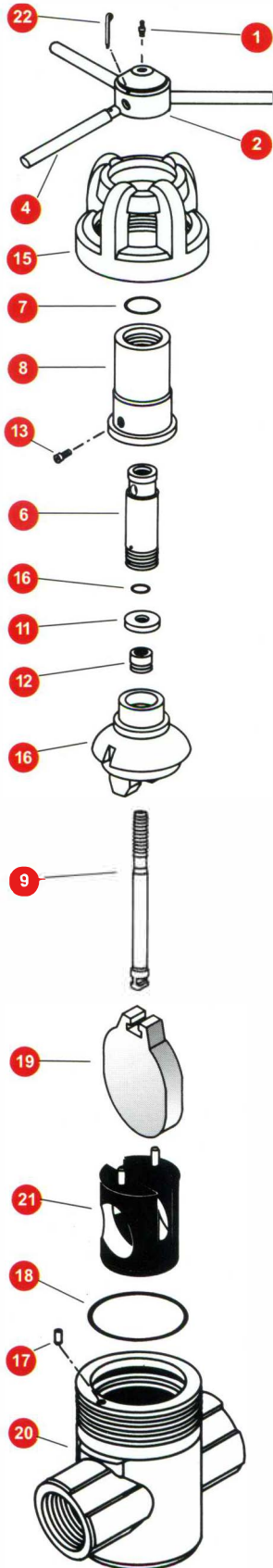


100% Interchangeable with DEMCO® DM TYPE

✓ *out our quality...  
Compare our Prices!!!*

*(Demco® DM Type)*

*100% Interchangeable  
VALVES & PARTS*



2"

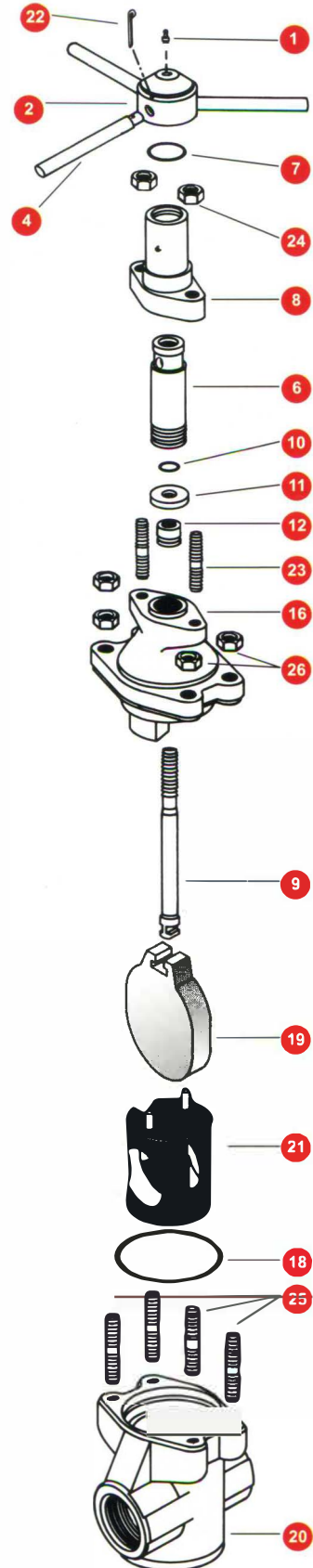
2" - 2000, 3000 & 5000 W.P.			2000 WP	3000 WP	5000 WP
REF.	Description	SIZE	WT.	2"	2"
1	<b>LUBE FITTING</b> Steel		.1#	5195	
2	<b>HUB ASSEMBLY</b> Steel		5#	14687	
4	<b>LOCK HANDLE</b> Steel		1#	1891	
6	<b>STEM SCREW</b> Steel		3#	1913	
7	<b>STEM SCREW SEAL</b> Buna N		.1#	5530 - 224	
8	<b>SCREW HOUSING</b> Steel		4#	1848	
9	<b>STEM</b> 303 SS 316 SS		1#	1931 - 002 1931 - 008	
10	<b>SECONDARY SEAL</b> Buna N		.1#	5530 - 210	
11	<b>RETAINER</b> Steel		1#	1940	
12	<b>STEM SEAL ASSEMBLY</b> (Includes Bronze Bushing) Buna N Viton		.1#	1949 - 001 1949 - 006	
13	<b>LOCK SCREW</b> Steel		.1#	5665 - 22004	
15	<b>COUPLING</b> WCB Steel		16#	1446 - 020	1445 - 030
16	<b>BONNET</b> ANSI 1029 Steel Uncoated Coated		7#	1237 - 020 1237 - 021	
17	<b>INDEX PIN</b> Steel		.1#	1981	
18	<b>BONNET SEAL</b> Buna N Viton		.1#	5530 - 342 5531 - 342	
19	<b>GATE</b> Steel, Nickel Plated 316 SS		3#	1887 - 002 1887 - 008	
20	<b>BODY, UNCOATED</b> Steel <b>SCREWED-API - LP FULL PORT WELD</b>		29#	1285- 020	1271 - 030
		-SCH. 80	29#	1307 - 120	1309 - 130
		-SCH. XXH		1307 - 220	1309 - 230
		-SCH. 160		1307 - 520	1309 - 530
	<b>FLANGED - RTJ</b>		73#	2039 - 120	1510 - 230
21	<b>SEAT</b>		1.5#	1876 - 011	1876 - 011
	Ductile Iron	- Buna N		1876 - 012	1876 - 012
		- Viton		1876 - 021	1876 - 021
	STEEL	- Buna N	1.5#	1876 - 022	1876 - 022
		- Viton		1876 - 021	1876 - 021
	316 SS	- Buna N	1.5#	1876 - 081	1876 - 081
		- Viton		1876 - 082	1876 - 082
22	<b>PIN, LOCK HANDLE</b> Steel		1#	5420 - 18728	
★	<b>REPAIR KIT 2"</b> - 6 PCS. 1Ea - Ref. 7,10, 12, 18, 19, 21		6 #	P/N: <b>DGV-25 KRK</b>	

DISCLAIMER: DEMCO IS A REGISTERED TRADE MARK OF ANOTHER COMPANY. IS NO WAY AFFILIATED WITH THIS COMPANY. THE PART NUMBERS LISTED ABOVE ARE FOR IDENTIFICATION PURPOSE ONLY.

To order: Specify a) Size b) Pressure c) End connections

*✓ out our quality...  
Compare our Prices!!!*

3" - 3000 & 5000 W.P. / 4" - 3000 W.P.			3000 WP 4" X 3"	5000 WP 4" X 3"	3000 WP 5 X 4"	
REF.	Description	SIZE	WT.	3"	3"	4"
1	<b>LUBE FITTING</b> Steel		.1#	5195	5195	5195
2	<b>HUB ASSEMBLY</b> Steel		10#	14688	14688	14689
4	<b>LOCK HANDLE</b> Steel		1#	1892	1892	1897
6	<b>STEM SCREW</b> Steel		1#	1914 - 003	1914 - 003	1915
7	<b>STEM SCREW SEAL</b> Buna N		.1#	5530 - 226	5530 - 226	5530 - 227
8	<b>SCREW HOUSING</b> Steel		6#	1852	1852	1958
9	<b>STEM</b> 303 SS 316 SS		1# 1#	1932- 002 1932- 008	1932- 002 1932- 008	1933- 002 1933- 008
10	<b>SECONDARY SEAL</b> Buna N		.1#	5530 - 212	5530 - 212	5530 - 214
11	<b>RETAINER</b> Steel		1#	1941	1941	1942
12	<b>STEM SEAL ASSEMBLY</b> (Includes Bronze Bushing) Buna N Viton		.2#	1950 - 001 1950 - 006	1950 - 001 1950 - 006	1951 - 001 1951 - 006
16	<b>BONNET</b> A148 Steel Uncoated Coated		40# 45#	1976 - 030 1976 - 031	1980 - 030 1980 - 031	1977 - 030 1977 - 031
18	<b>BONNET SEAL</b> Buna N Viton		.1#	5530- 433 5531- 433	5530- 433 5531- 433	5530- 439 5531- 439
19	<b>GATE</b> Steel Nickel Plated 316 SS		.1# 9#	1886 - 002 1886 - 008	1886 - 002 1886 - 008	1926 - 002 1926 - 008
20	<b>BODY, UNCOATED, Steel</b> <b>SCREWED-API LP - FULL PORT</b>		71#	1281 - 030	1987 - 030	1855 - 030
	<b>WELD - FULL PORT</b>					
	- SCH .80		80#	1767 - 130	1266 - 130	1014 - 130
	- SCH. XXH			1767 - 230	1266 - 230	1014 - 230
	- SCH. 160			1767 - 530	1266 - 530	1014 - 530
	<b>FLANGED-RTJ</b>		146#	1455 - 130	1511 - 230	1451 - 130
	<b>WELD - REG. PORT</b>					
	- SCH .80		80#	1282 - 130	1267 - 130	1009 - 130
	- SCH. XXH			1282 - 230	1267 - 230	1009 - 230
	- SCH. 160			1282 - 530	1267 - 530	1009 - 530
21	<b>SEAT</b> Ductile Iron	- Buna N	4#	1878 - 011	1878 - 011	2207 - 011
		- Viton	8#	1878 - 012	1878 - 012	2207 - 012
	Steel	- Buna N	4#	1878 - 021	1878 - 021	2207 - 021
		- Viton	8#	1878 - 022	1878 - 022	2207 - 022
	316 SS	- Buna N	4#	1878 - 081	1878 - 081	2207 - 081
		- Viton	8#	1878 - 082	1878 - 082	2207 - 082
22	<b>PIN, LOCK HANDLE</b> Steel		.1#	5420-18732	5420-18732	5420-18732
23	<b>BONNET STUD (2 REQUIRED)</b> A193 B7 Steel		1#	2066	2066	2072
24	<b>BODY STUD NUT (2 REQUIRED)</b> Carbon Steel A194 2 H		.6#	53251- 034	53251- 034	53251- 036
25	<b>BODY STUD (4 REQUIRED)</b> A 193 B7 Steel		2#	2074	32076	2075
26	<b>BODY STUD NUT (4 REQUIRED)</b> Carbon Steel A194 2H		.5#	53251 - 038	53251 - 144	53251 - 042
★	<b>REPAIR KITS 3" &amp; 4" - 6 PCS.</b> 1 Ea - Ref. 7, 10, 12, 18, 19, 21		18#	3" P/N: <b>DGV-35 KRK</b> 4" P/N: <b>DGV-43 KRK</b> (Low Pressure)		



**Testing:** GATE VALVES ARE HYDROSTATICALLY TESTED AFTER ASSEMBLY. THE BODY, STEM SEAL AND SEAT ARE INSPECTED FOR ZERO LEAKAGE UNDER PRESSURE BEFORE SHIPMENT.

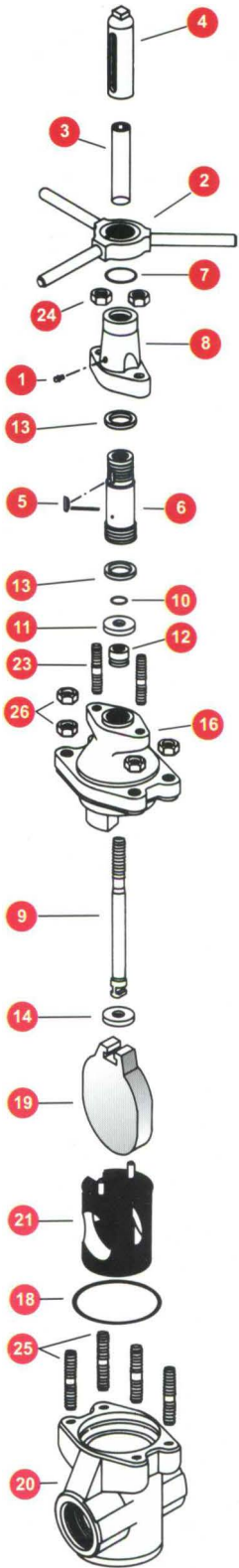
**Rubber Properties:** \* **BUNA-N** : IS THE BASIC SEAT ELASTOMER, EXCELLENT FOR PETROLEUM (Nitrile) OILS AND GASES.  
\* **VITON** : IS HIGHLY RESISTANT TO MINERAL ACIDS AND HYDROCARBONS, GOOD FOR HIGH TEMPERATURE SERVICE (-10° F to 400° F)

3"

*(Demco® DM Type) VALVES & PARTS*  
4", 5" x 4" & 6" x 4" - 5000 W.P.

REF.	Description	WT.	5" x 4" 6" x 4"
1	<b>LUBE FITTING</b> Steel	.1#	5195
2	<b>HANDLE ASSEMBLY</b> Steel	11#	7414
3	<b>ACT TUBE</b> Acrylic	1#	7459
4	<b>STEM CAP</b> Ductile Iron	3#	7411
5	<b>KEY</b> Steel	.1#	5305-10016
6	<b>STEM SCREW</b> Steel	4#	7416
7	<b>STEM SCREW SEAL</b> Buna N	.1#	5530 - 226
8	<b>SCREW HOUSING</b> Steel	9#	7418
9	<b>STEM</b> 303 SS 316 SS	3# 3#	7439 - 002 7439 - 008
10	<b>SECONDARY SEAL</b> Buna N	.1#	5530 - 214
11	<b>RETAINER</b> Steel	1#	7413
12	<b>STEM SEAL ASSEMBLY</b> (Includes Bronze Bushing) Buna N Viton	.2#	1951 - 001 1951 - 006
13	<b>BEARING (2)</b> Teflon/ Phenolic	.1#	7426
14	<b>DOWN STOP RING</b> 303 SS	1#	7417
16	<b>BONNET-A 148 STEEL</b> Uncoated Coated	62#	7419- 030
18	<b>BONNET SEAL</b> Buna N Viton	.1# .1#	5537- 361 5531- 361
★	<b>REPAIR KIT for 4" - 5000 PSI</b> 1 Ea. Ref 7, 10, 12, 18, 19, 21		

REF.	Description	WT.	5" x 4" 6" x 4"
19	<b>GATE</b> Steel, Nickel Plated 316 SS	9#	1926 - 002 1926 - 008
20	<b>BODY *, UNCOATED STEEL SCREWED - API LP FULL PORT WELD - FULL PORT 4"</b> - SCH. 80 - SCH. XXH - SCH. 160 <b>FLANGED-RTJ WELD - REG. PORT- 5" x 4"</b> - SCH. 80 - SCH. XXH - SCH. 160 <b>WELD REG. PORT- 6" x 4"</b> - SCH. 80 - SCH. XXH - SCH. 160	120# 120# 260# 116# 114#	1246 - 030 1288 - 130 1288 - 230 1288 - 530 17288 - 230 1249 - 130 1249 - 230 1249 - 530 17287 - 130 17287 - 230 17287 - 530
21	<b>SEAT</b> Steel - Buna N - Viton 316 SS - Buna N - Viton	6# 6#	2207 - 021 2207 - 022 2207 - 081 2207 - 082
23	<b>BONNET STUD (2)</b> A 193 B7 Steel	1#	2072
24	<b>BONNET STUD NUT (2)</b> Carbon Steel A 194 2H	1#	53251 - 036
25	<b>BODY STUD (4)</b> AISI 4140 HT Steel	5#	2077
26	<b>BODY STUD NUT (4)</b> Carbon Steel AISI 414004145	2#	15432
	<b>BONNET ASSEMBLY</b> With Gate	102#	1890
* Replacements bodies must include 4 Body Studs. CAUTION: Test valve assembly including replacement body before use. Failure to do so may result in leakage and /or personal injury or property damage.			
★ <b>REPAIR KIT for 4" - 5000 PSI</b>		<b>6 PCS</b> Weight: 18 Lbs.	P/N: <b> DGV - 45KRK</b>



**4" & 5"**

**Warranty:**

Warrants its Drilling Equipment Products to be free from defects in material and workmanship under normal use and service for a period of one (1) year from date of purchase. The liability for any such defects shall be limited to the repair or replacement of such drilling equipment products, or if agreed upon, refund of the purchase price in exchange for the product.